

SAFETY GUIDE



WARNING • Before using, read these user's manuals of this product to ensure correct usage through understanding. After reading, store them in a safe place for future reference. Incorrect handling of this product could possibly result in personal injury or physical damage. The manufacturer assumes no responsibility for any damage caused by mishandling that is beyond normal usage defined in these manuals of this product.



- You will be using sharp tools. Always use personal protective equipment such as gloves and safety glasses to avoid the risk of injury.
 - Make sure the floor you step on is dry, free from any liquids such as oil and water when assembling this product. Use anti-slip shoes to avoid falling due to slips.
 - Keep this product out of reach of electric current, as this product is made of metal that conducts electricity.
 - Make sure there is adequate lighting when doing the assembly. When assembling keep it away from children and pets.
- Please note, that whether you are cleaning manually or semi-automatically all solid waste must be removed with a scoop and spot washed with the cordless power washer prior to cleaning.

EQUIPMENT FOR ASSEMBLE

Not included in the item package.

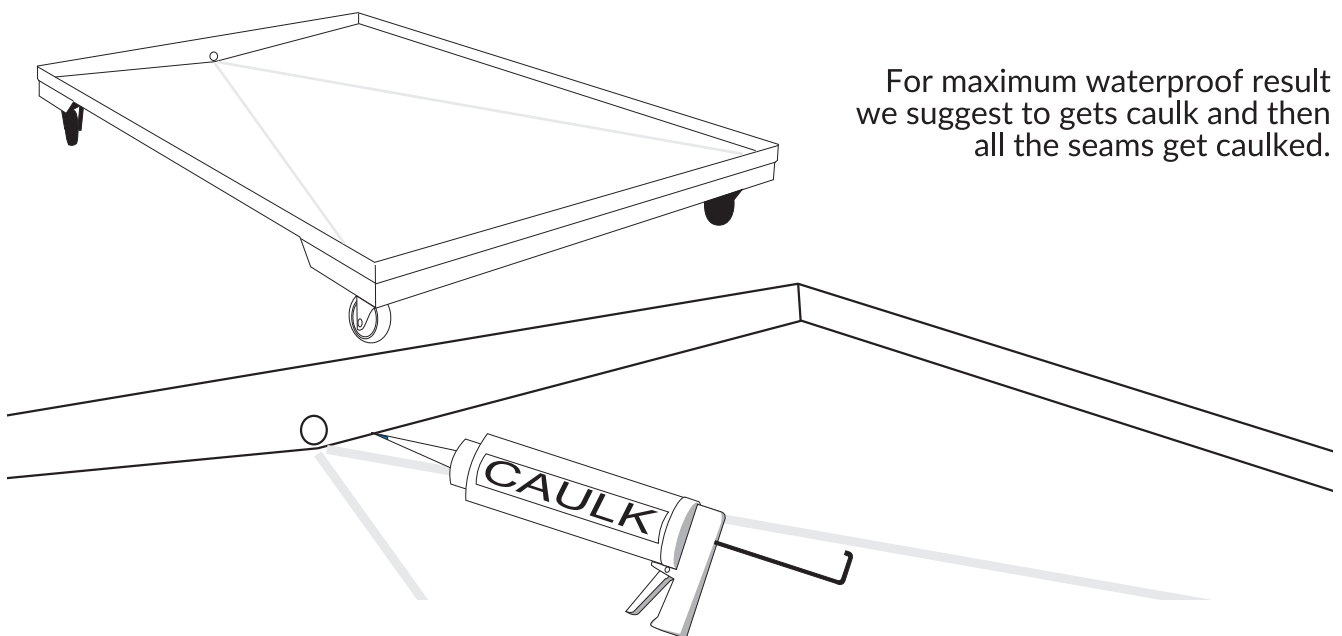
- Safety transparent glass (if there any)
- Safety Gloves and Safety Shoes
- Electrical Hand Drill

It is recommended that you have knowledge of assembly are helpfull.

SAFETY PRECAUTION



Tips for maximum waterproof



For maximum waterproof result we suggest to gets caulk and then all the seams get caulked.

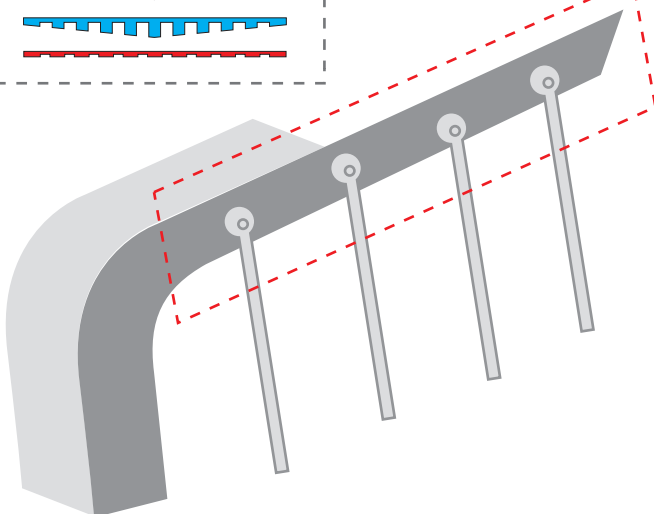
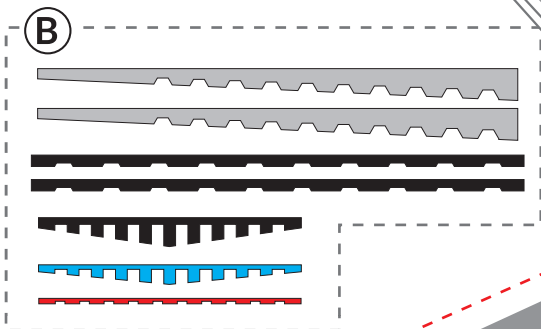
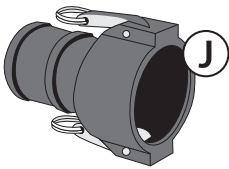
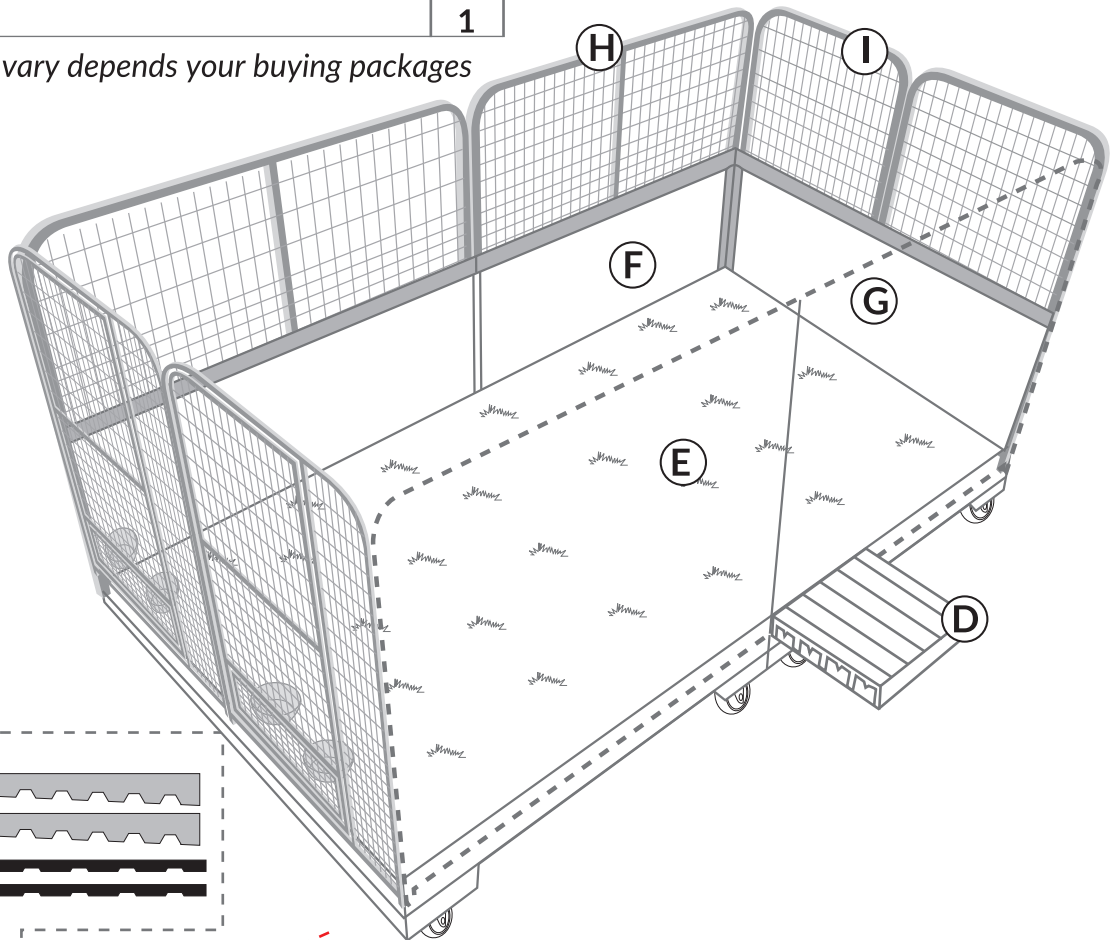
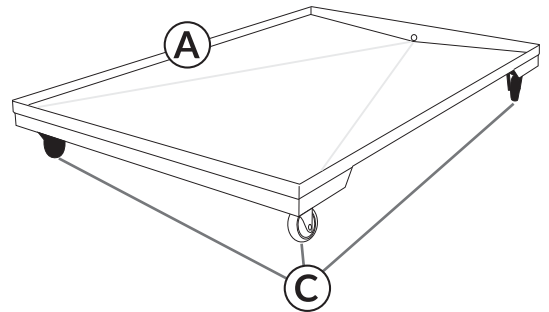
K9 KENNEL STORE

833 West 27th Street Ogden, Ut 84401
 Phone : (801) 621-4024 Fax :(801) 621-4353
 E-Mail : k9kennelsstore@gmail.com

INSIDE THE PACKAGE

| Item | Parts Name | Qty |
|------|---|-----|
| A | 4'X6' PAN | 4 |
| B | 6' (7pcs) Floor Support Kit | 4 |
| C | Legs or Casters | 16 |
| D | Raised Flooring 2'X4' | 12 |
| E | 96 Sq. Ft. K9 Kennel Turf | 1 |
| F | White Wall Board 2'H X 6'W | 4 |
| G | White Wall Board 2'H X 8'W | 2 |
| H | PRO 6' Panels | 4 |
| I | PRO 8' Panels | 2 |
| J | 2" Male Adapter x MNPT Cam Lever Coupling | 1 |
| K | Plumbing Kit | 1 |

*Package contents may vary depends your buying packages

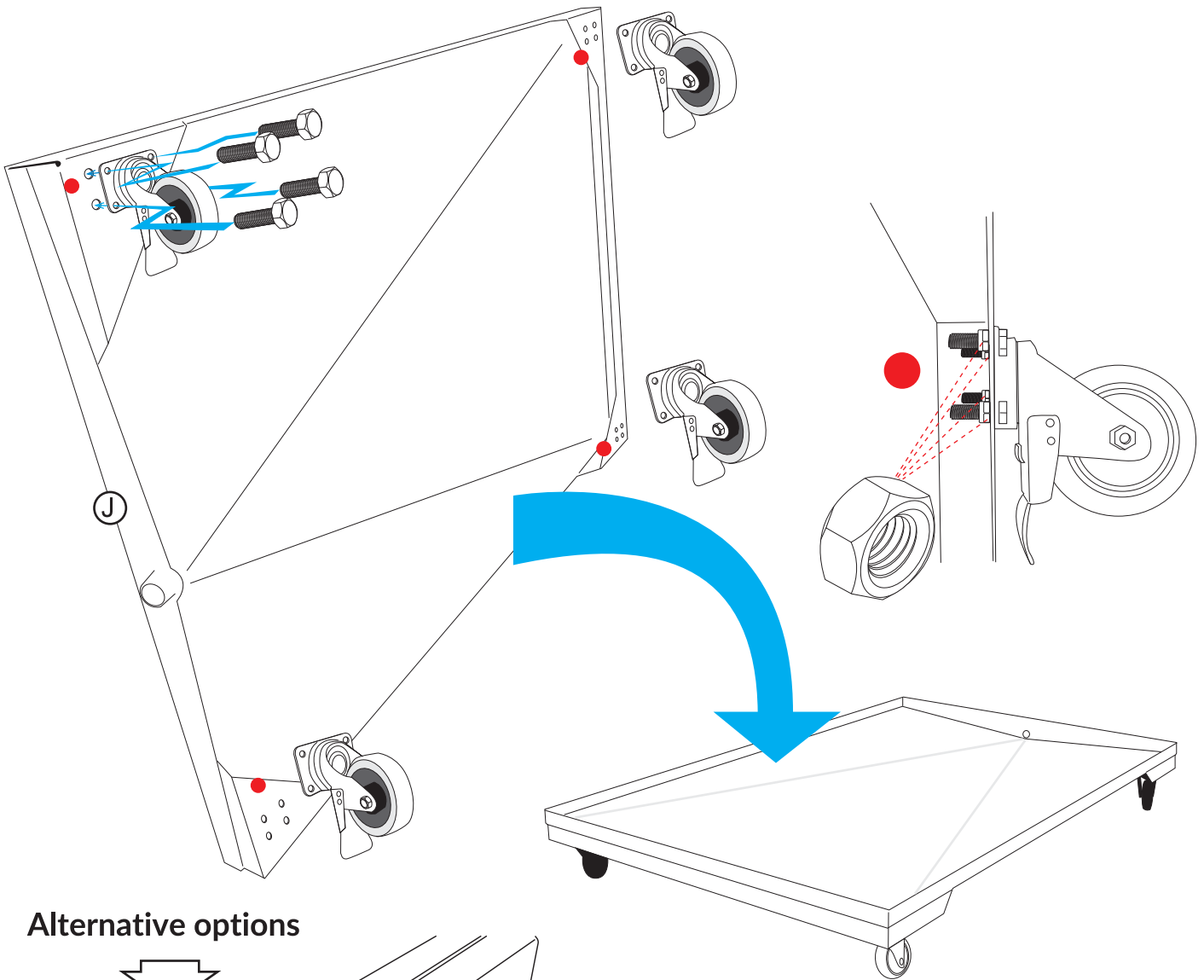


NOTES

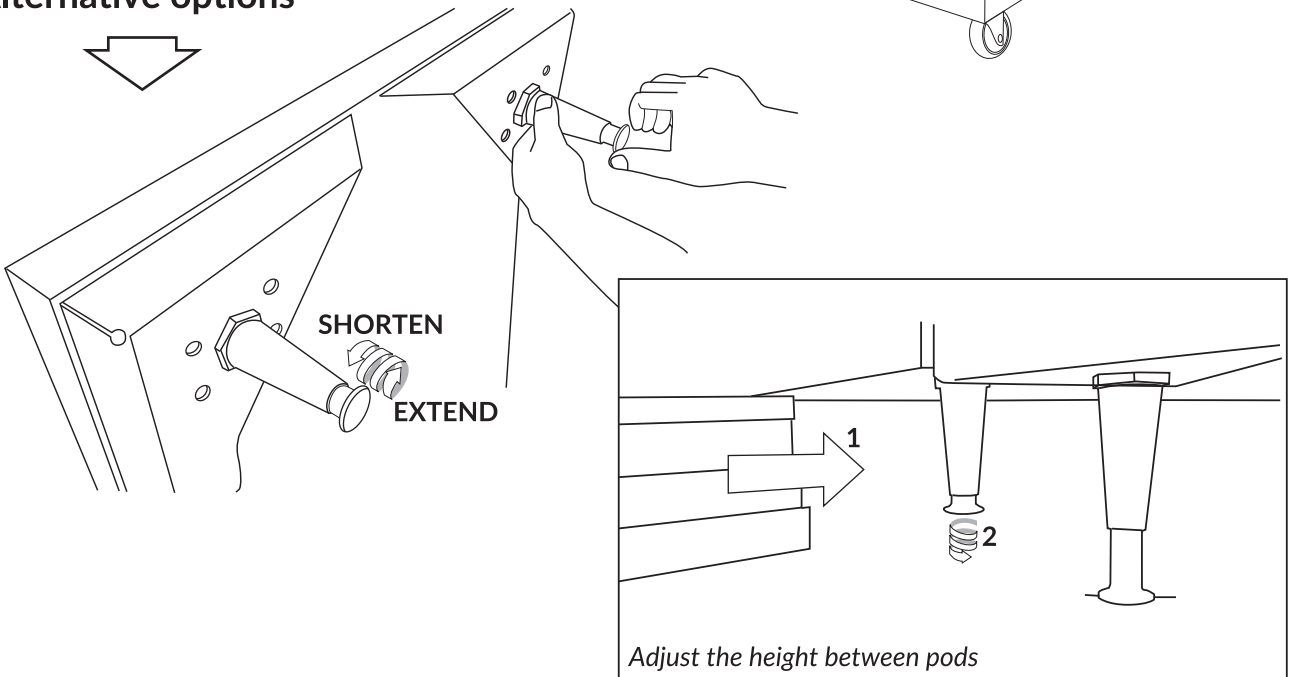
When you install the outer side panels, please make sure that the fence panels position are with welded mesh and wire facing to the inside of kennel

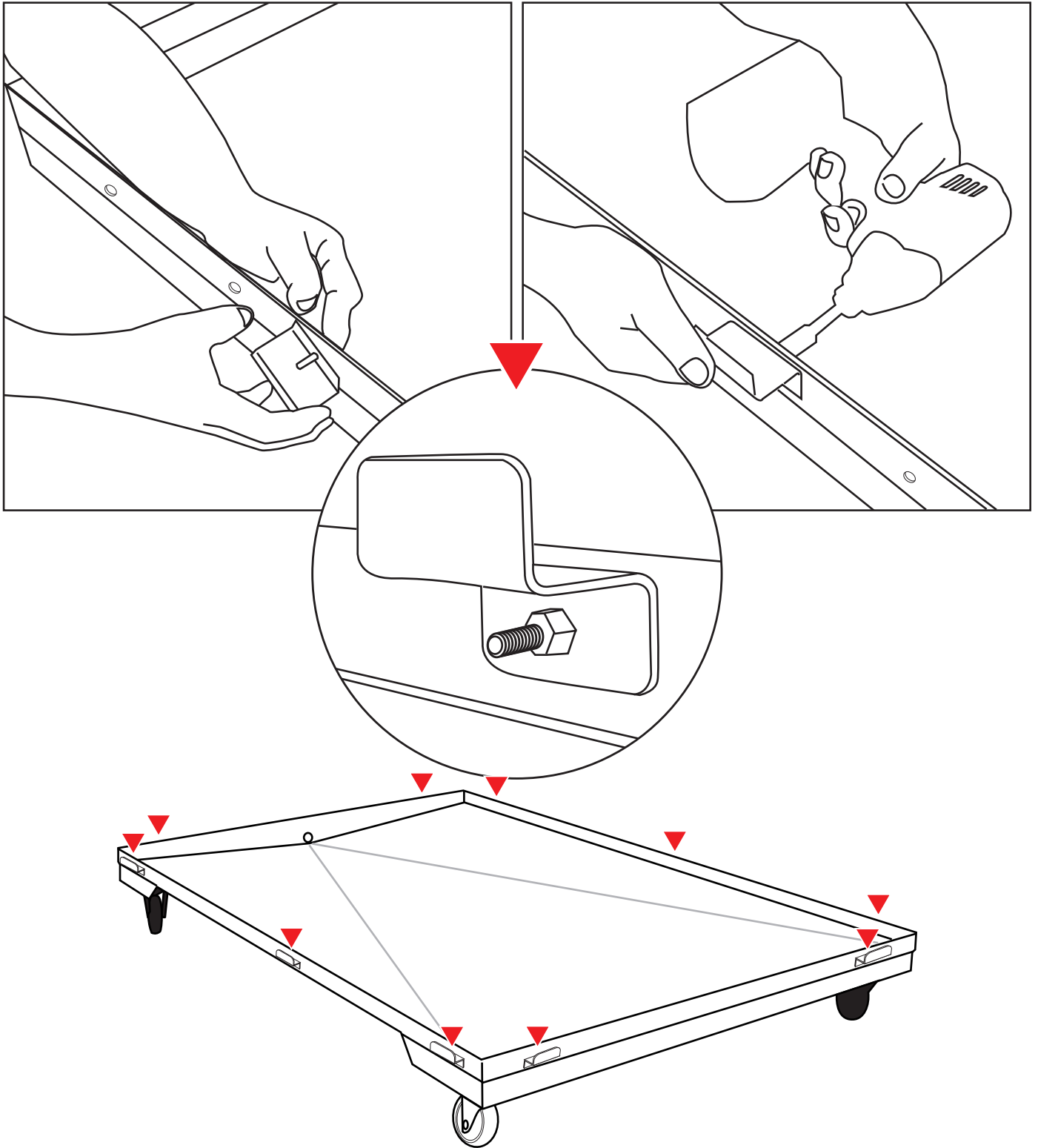
ASSEMBLY

Assemble Casters to Floor Pan



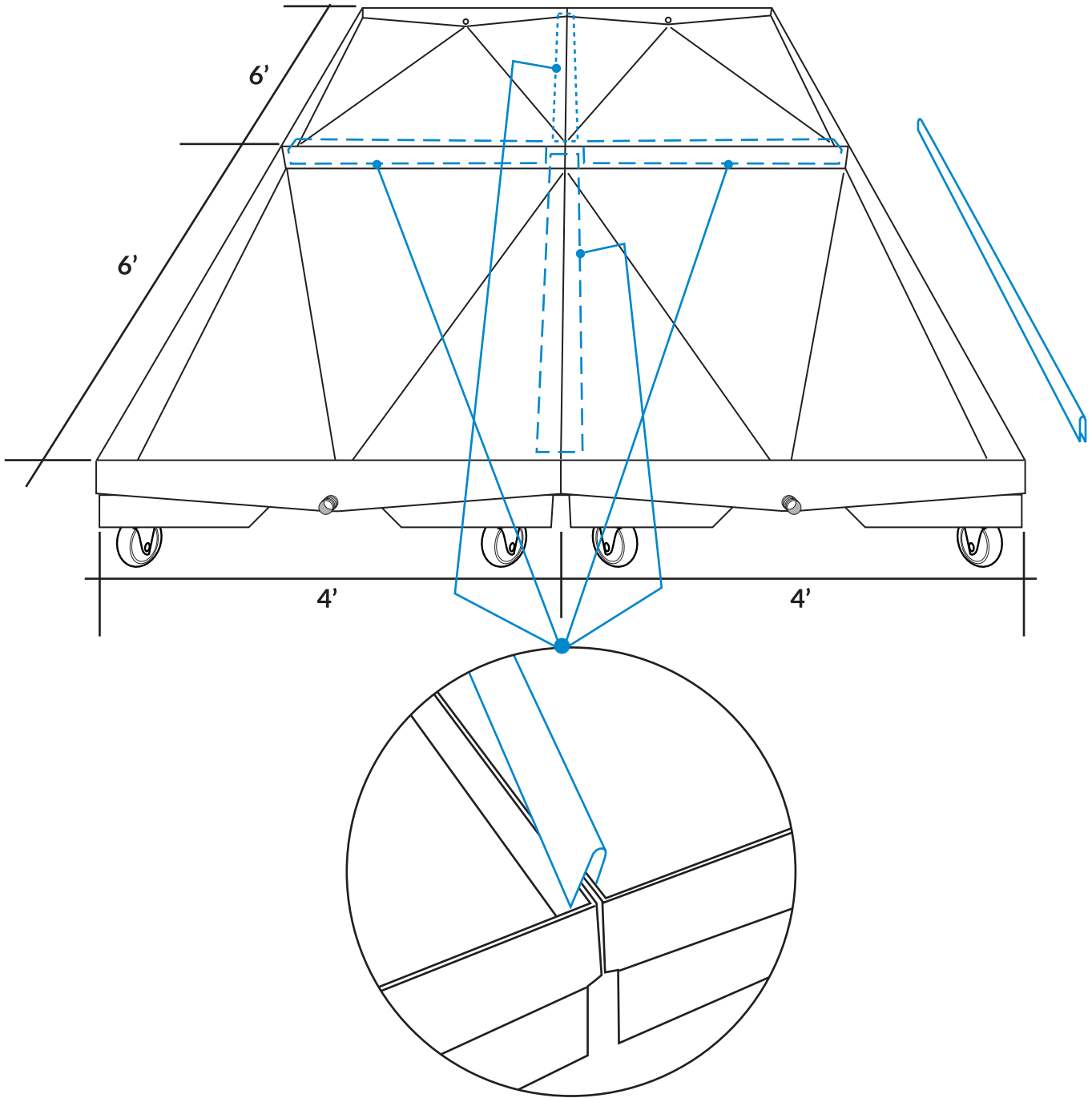
Alternative options

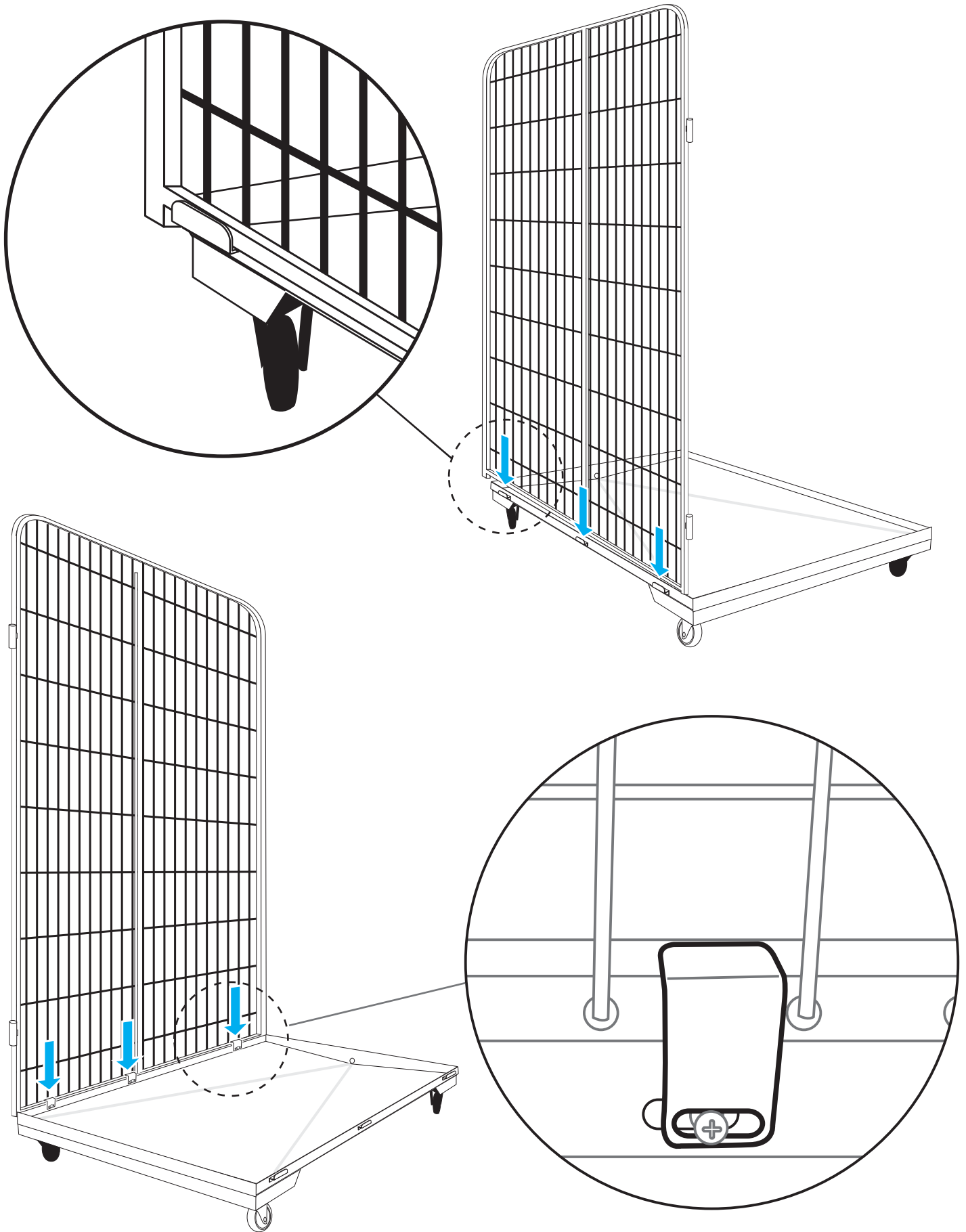


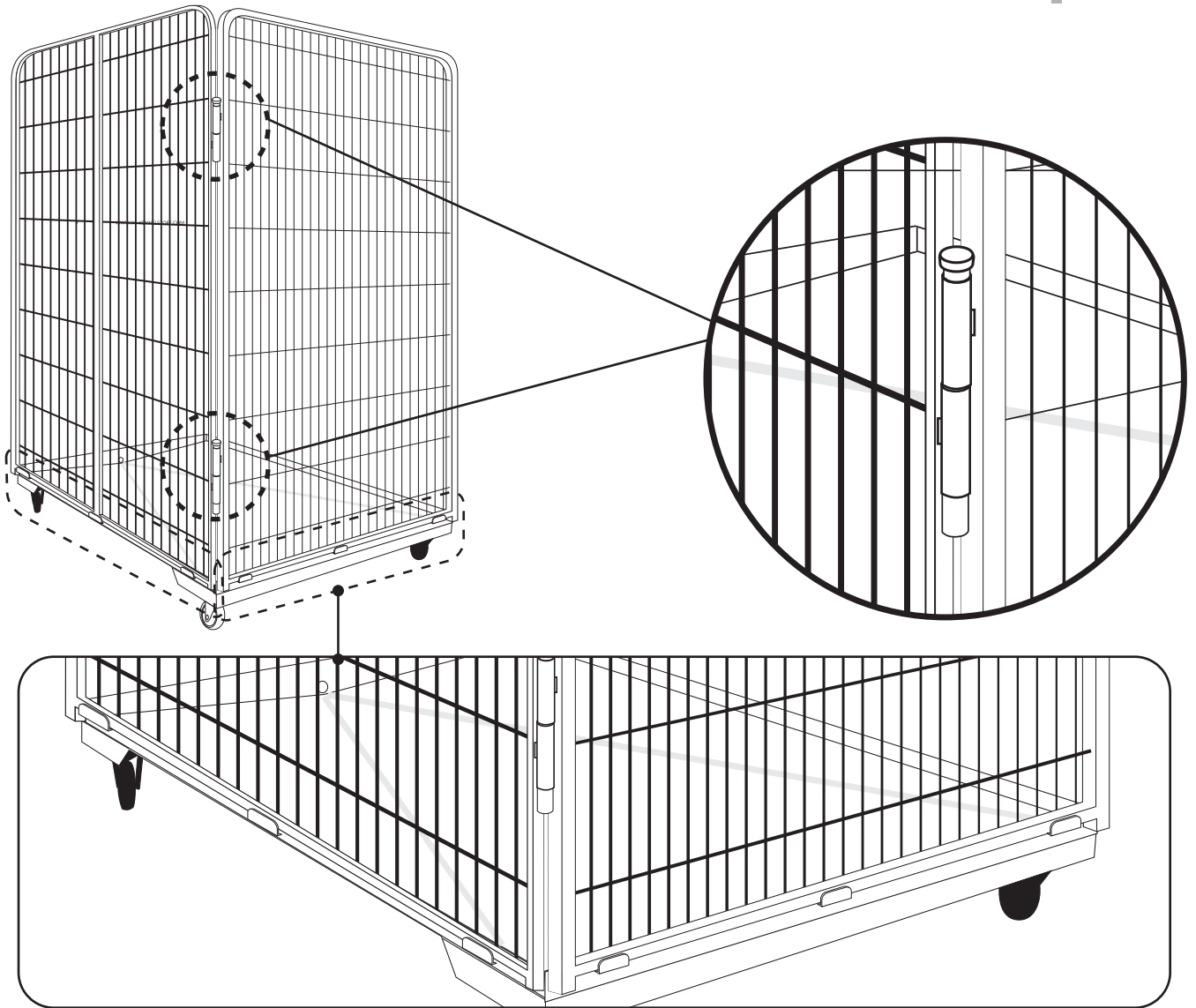


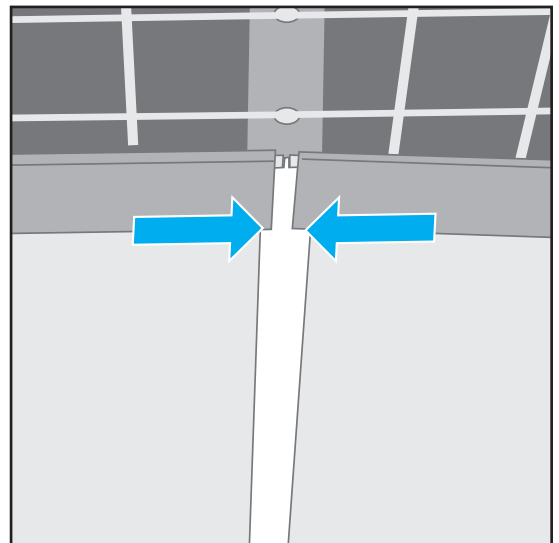
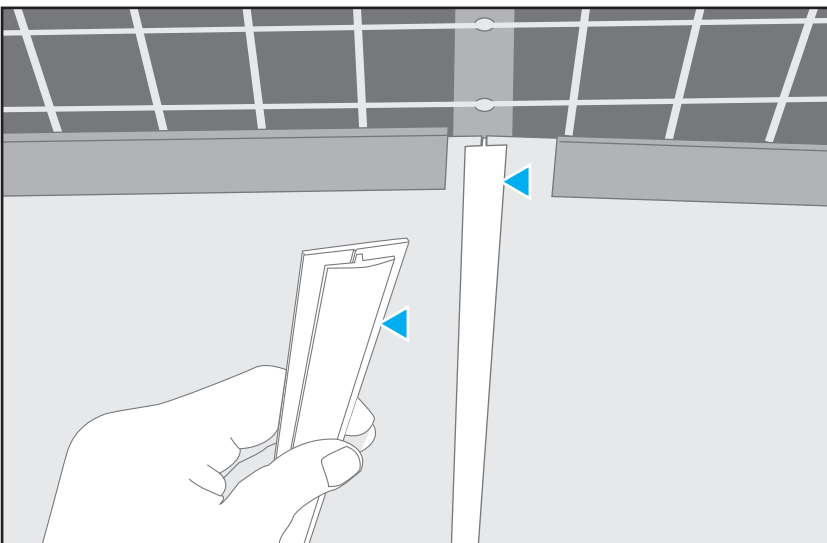
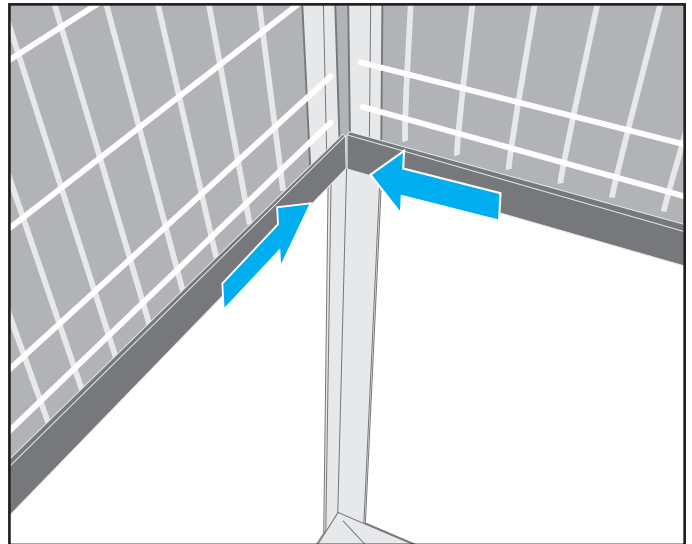
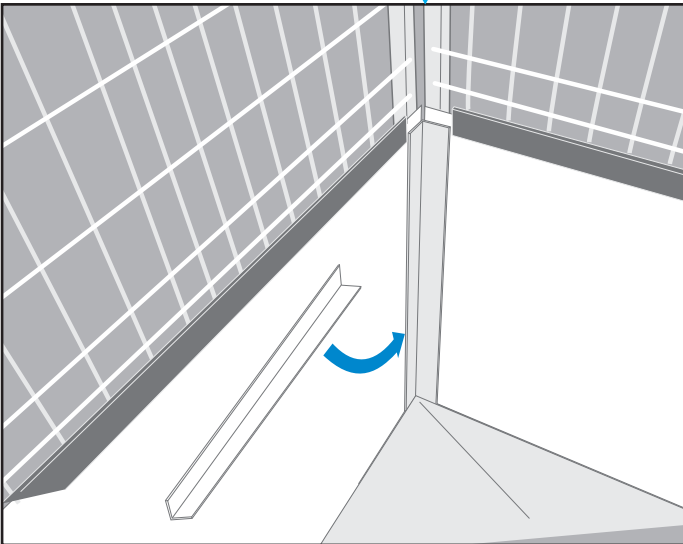
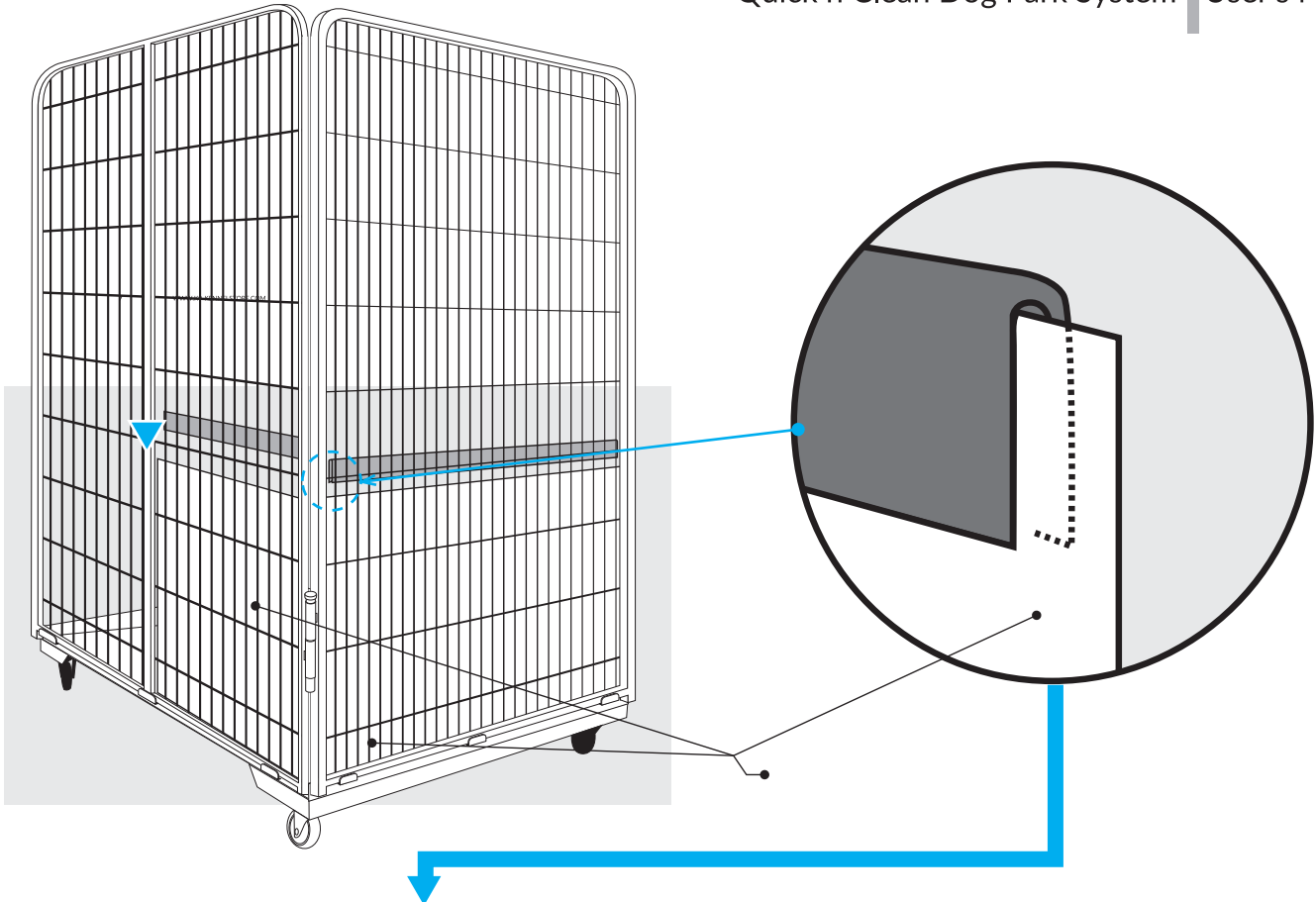
**Note : The position may vary depends your package setup*

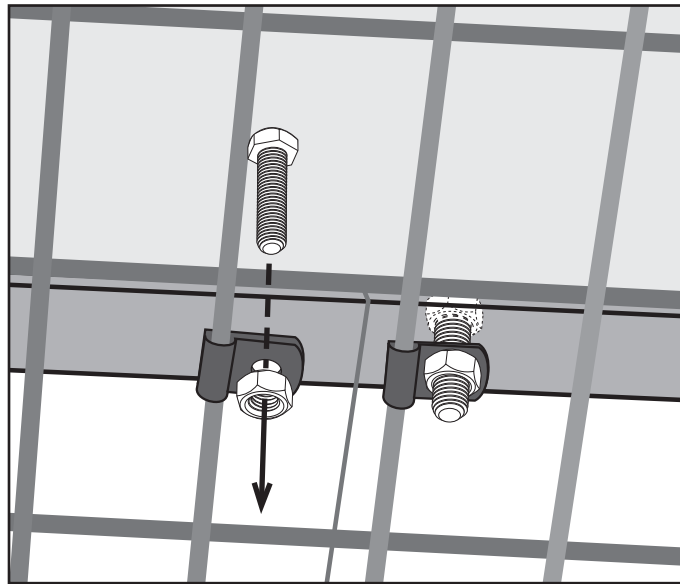
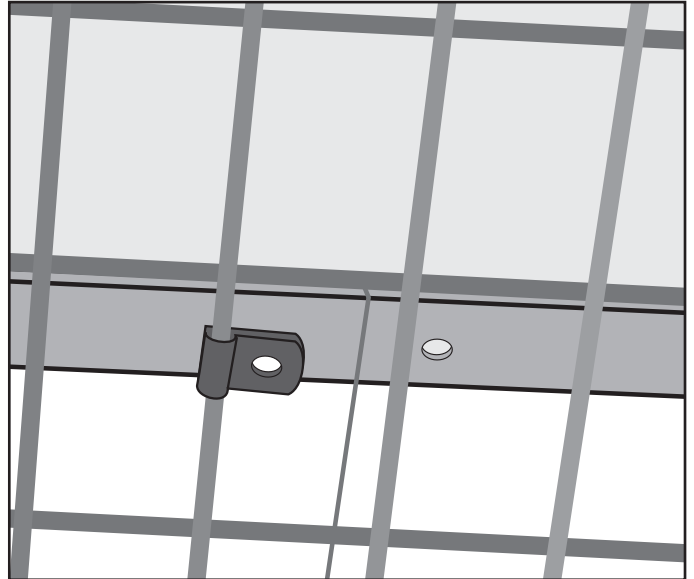
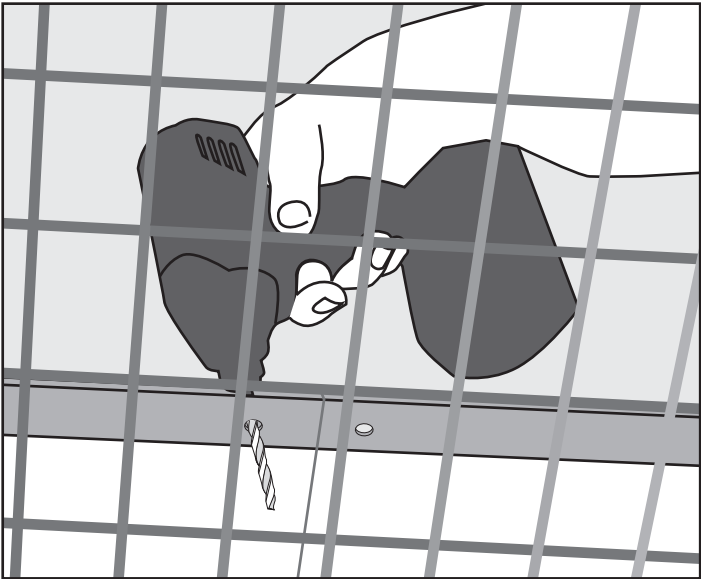
SETUP FOR 8X12



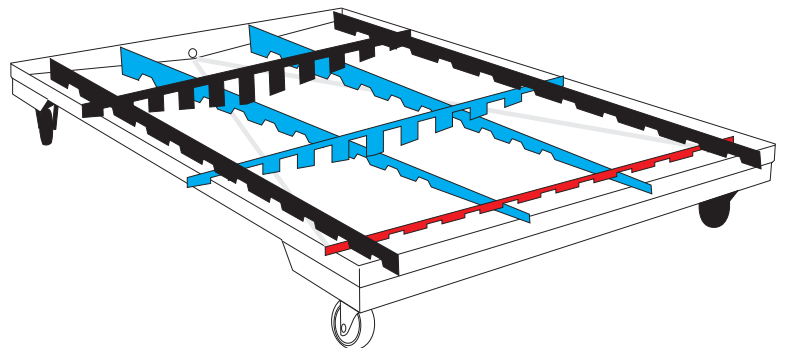
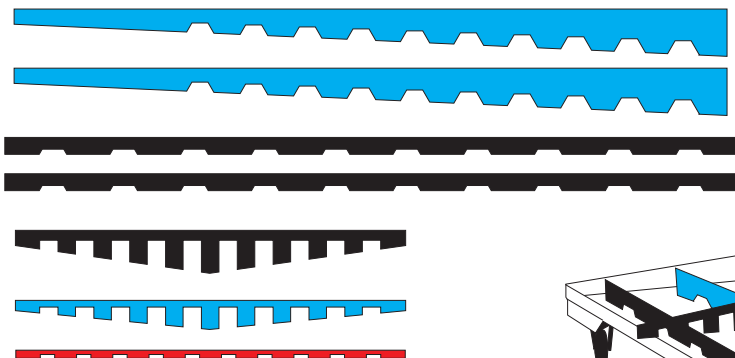




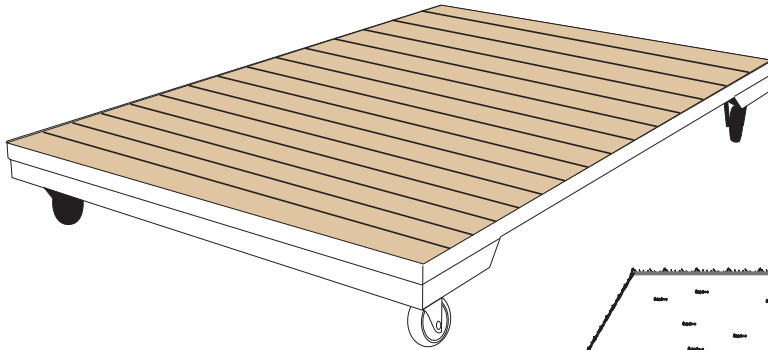




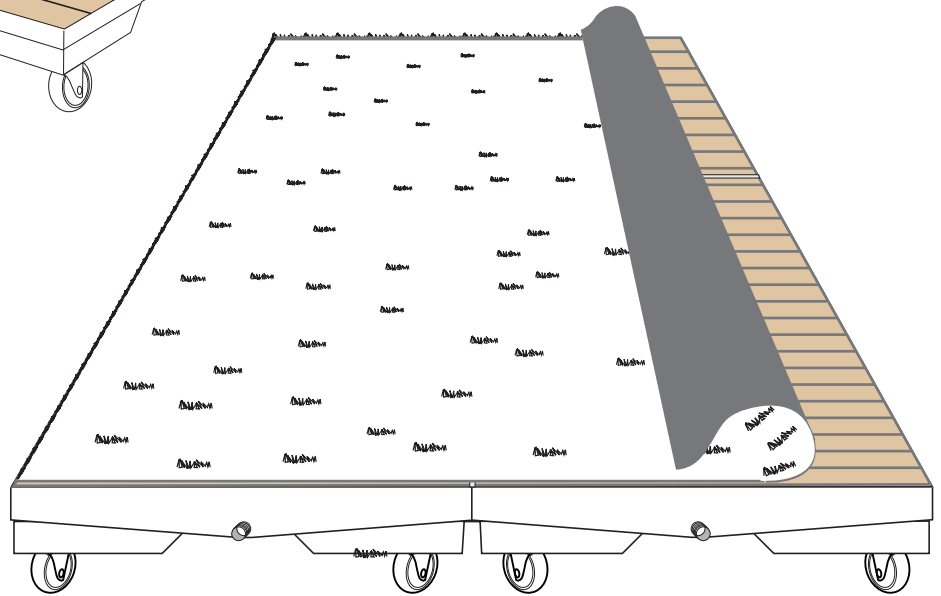
Cross Connect the Floor Support Grid

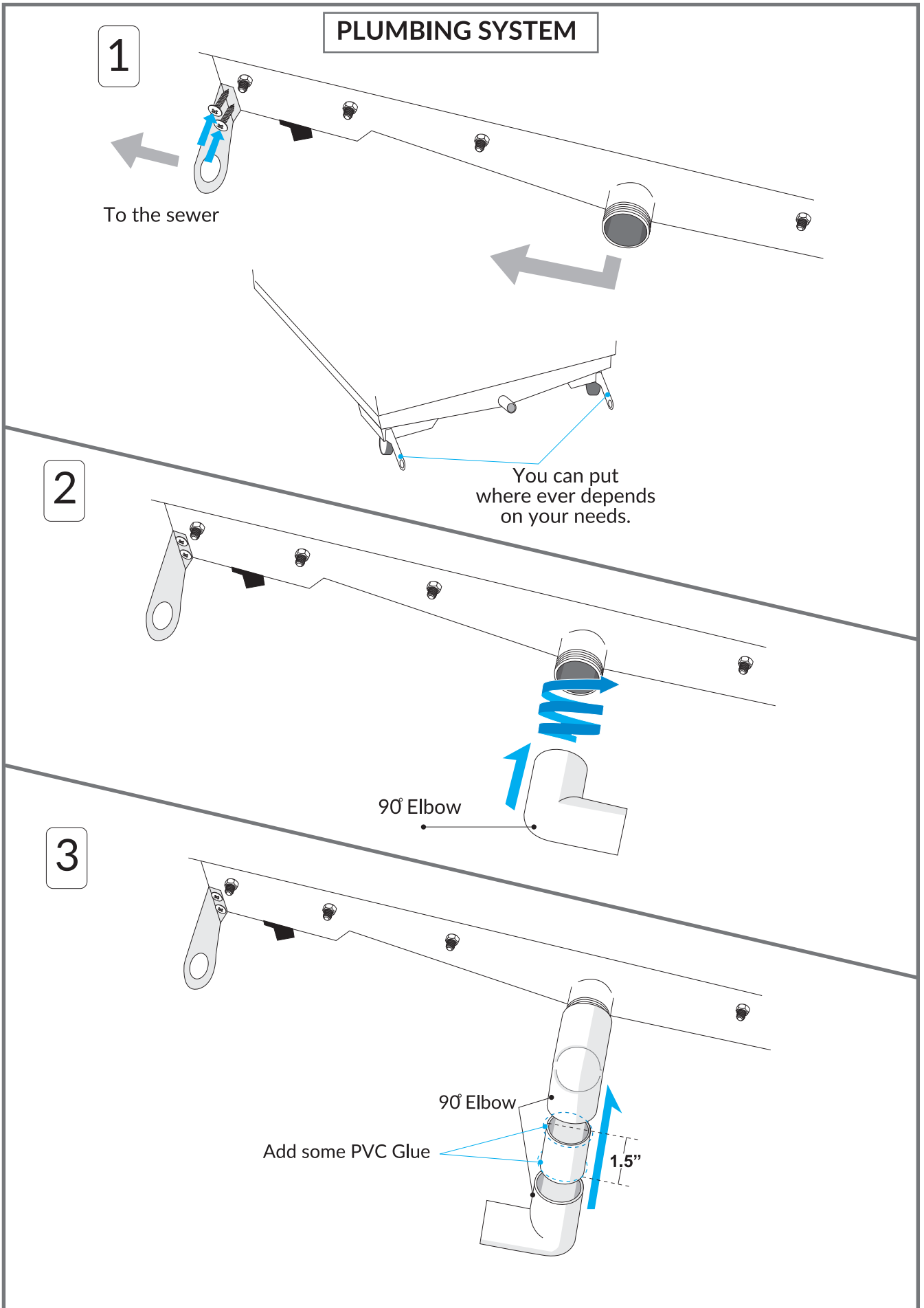


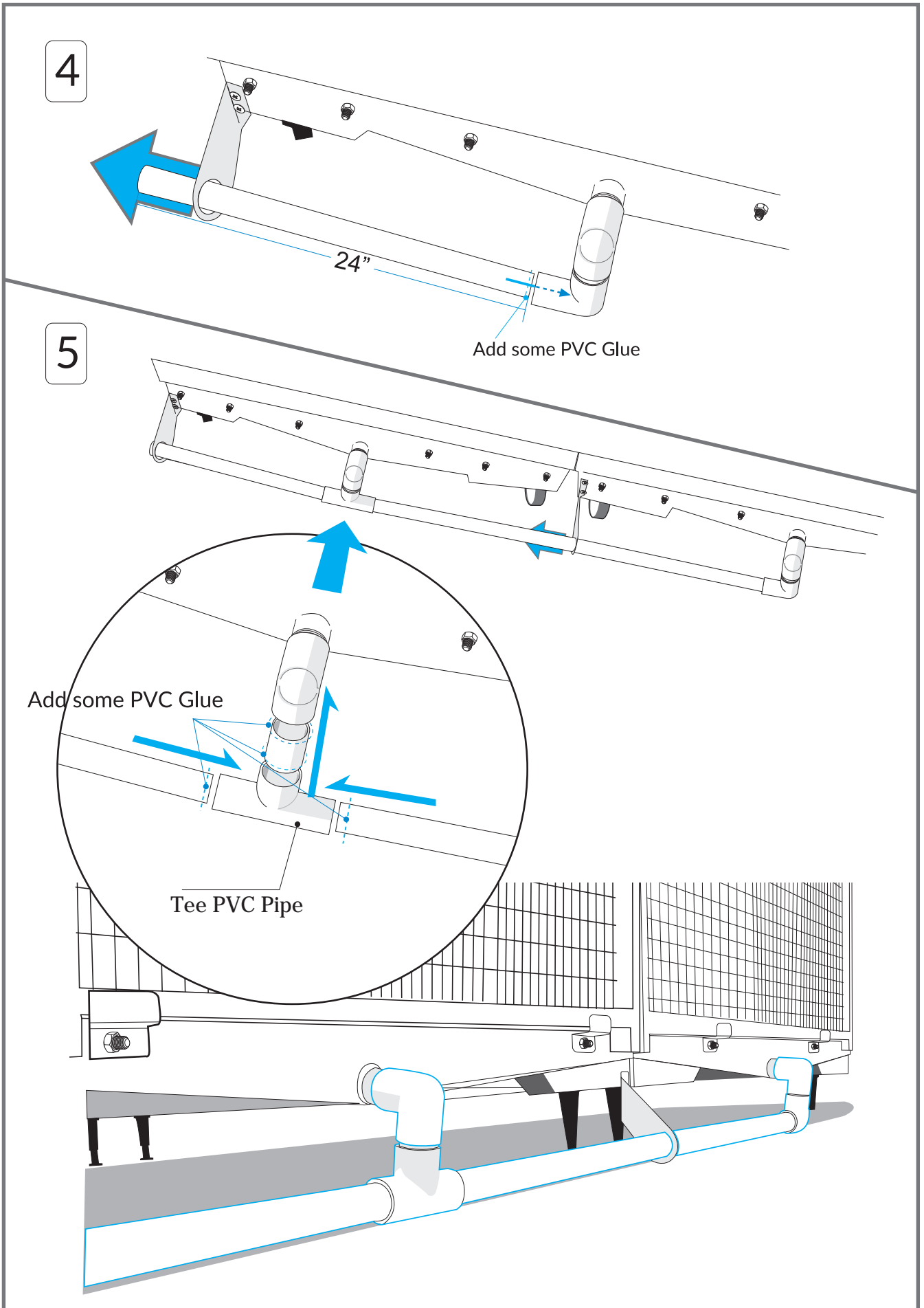
Insert Raised Flooring



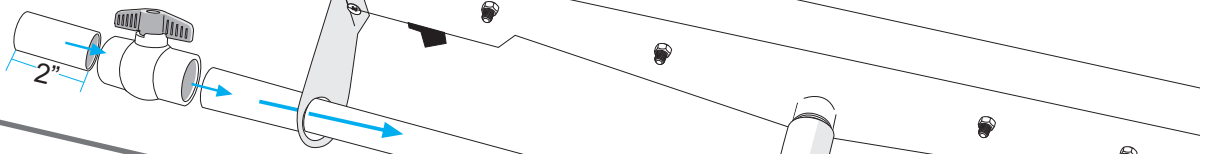
Attach the Kennel Turf



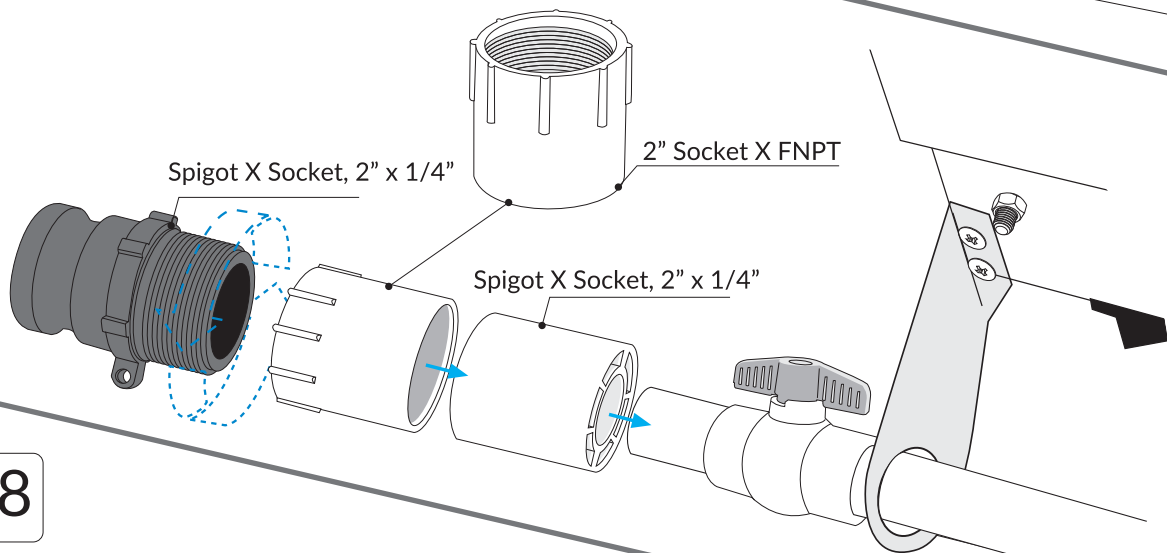




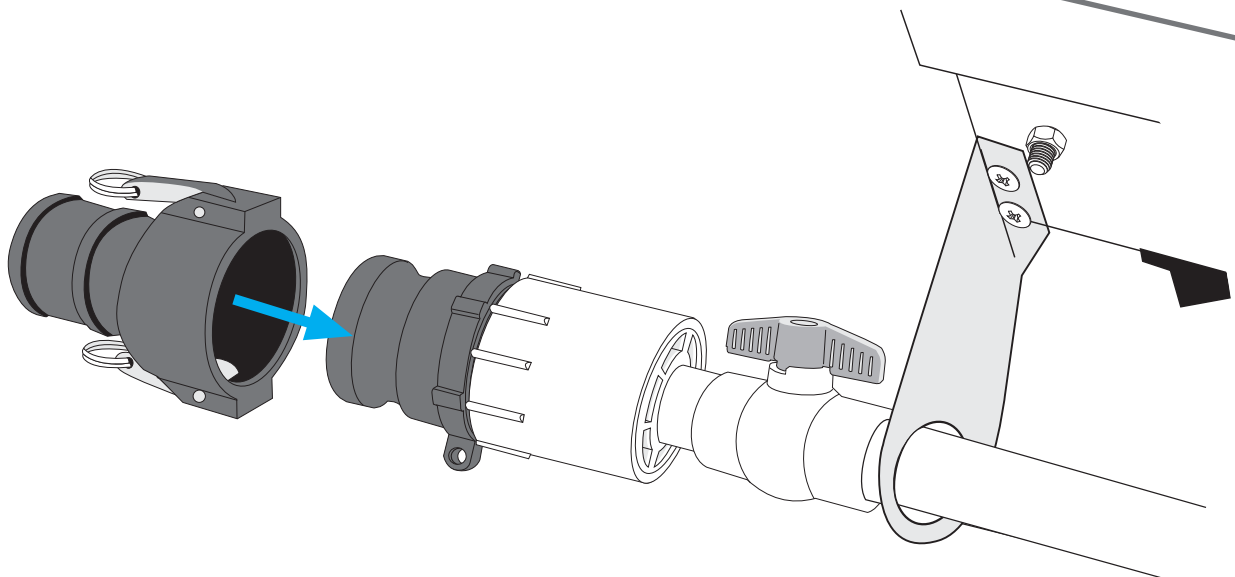
6

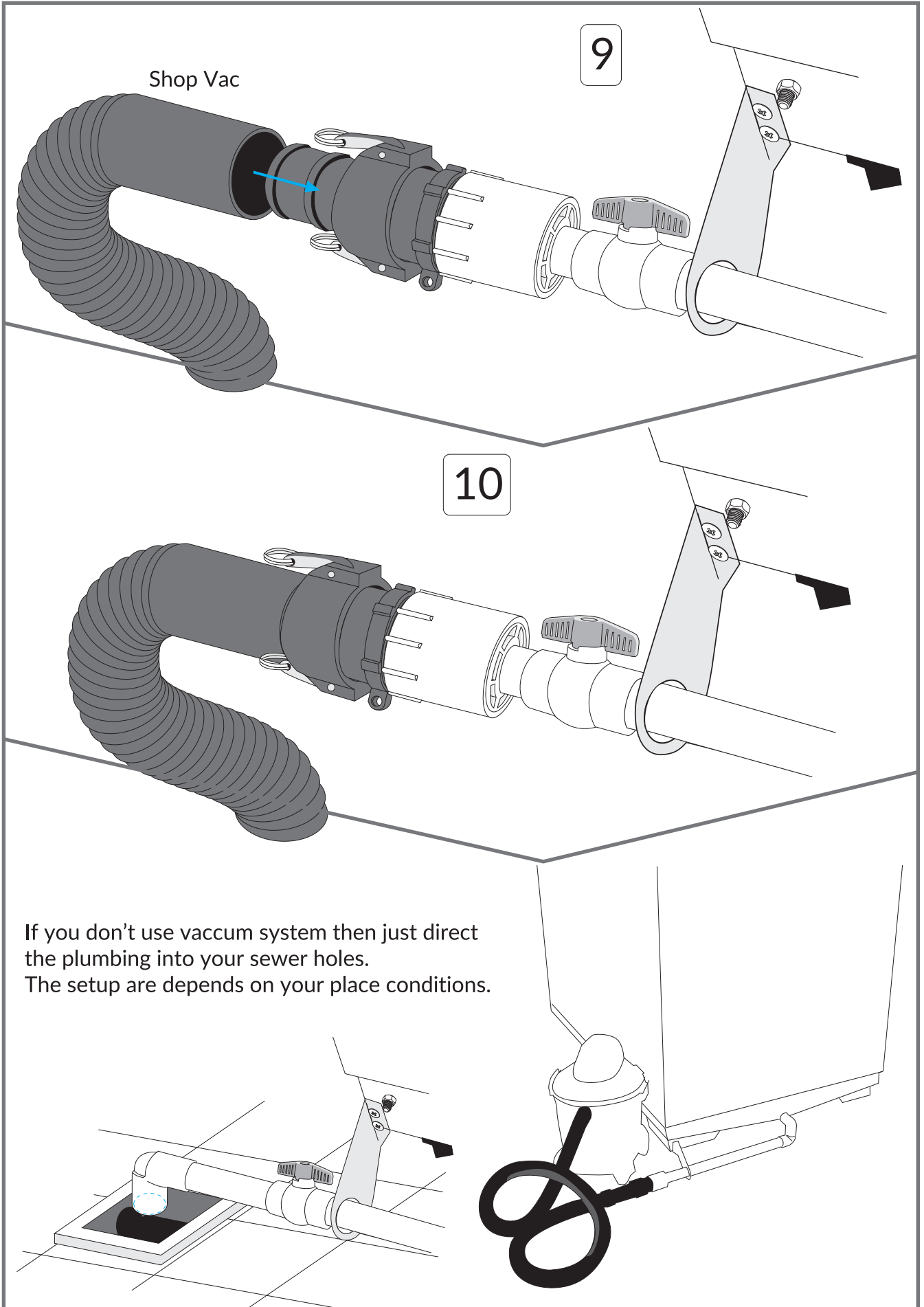


7

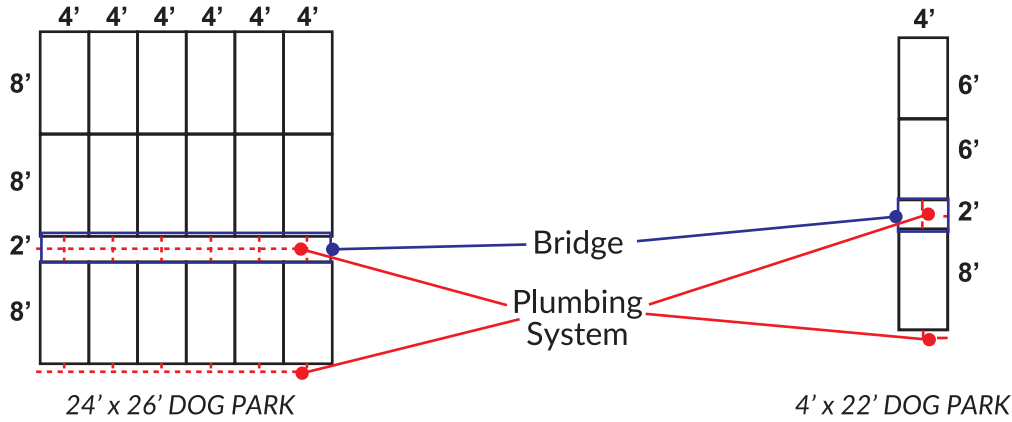


8

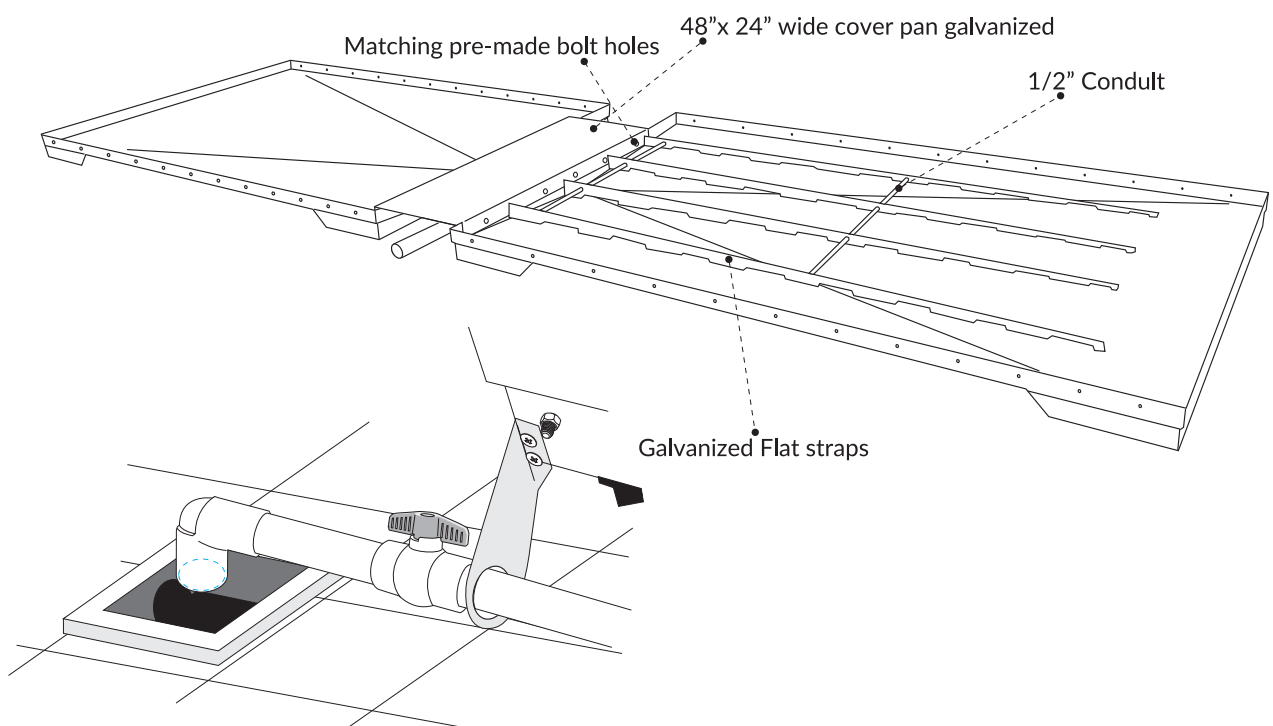
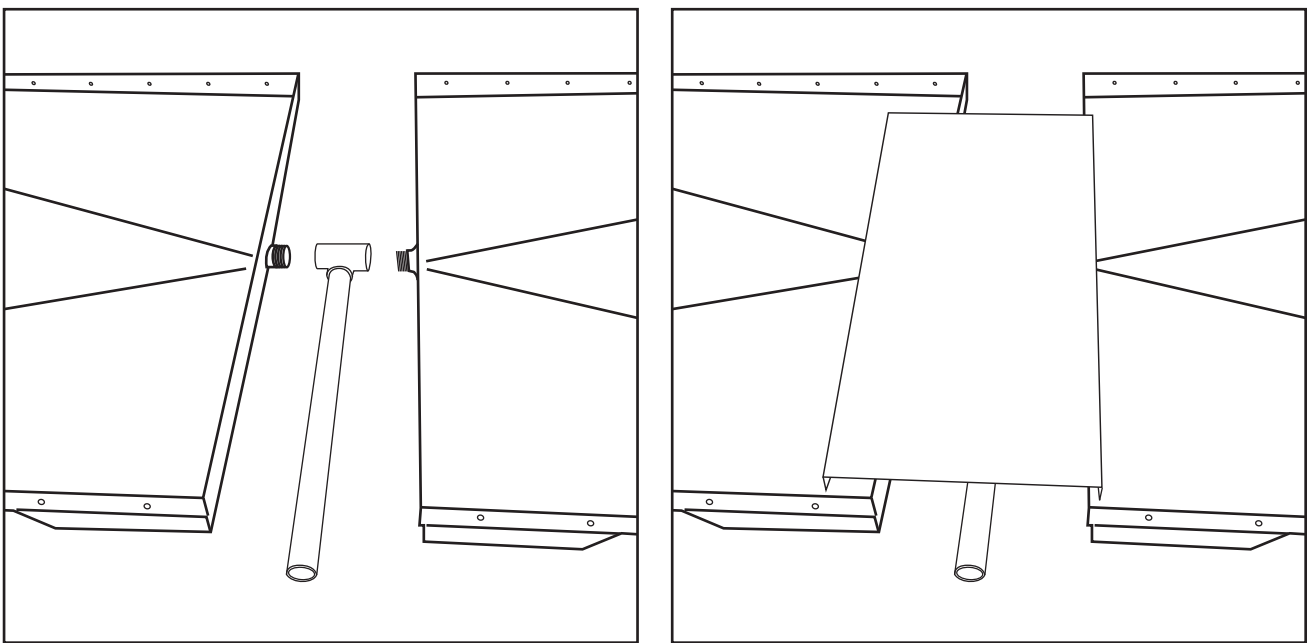


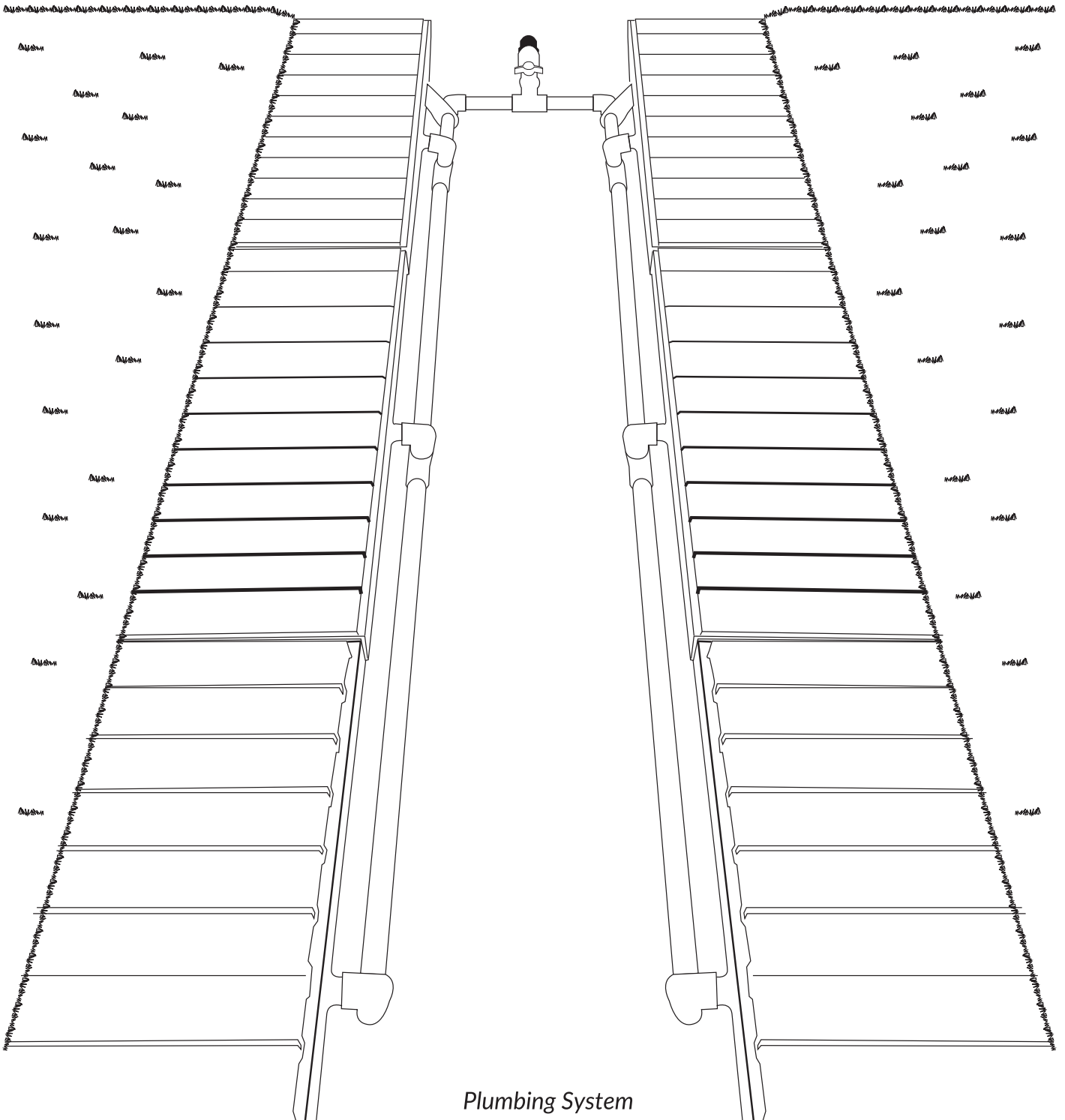


Bridge for Multiple Kennels



if you purchase a unit that is more than 16' Wide or 16' Long it will need a bridge section in it.





Thank You